

# Product data sheet

## Characteristics

# XUX5APANT16

Photoelectric sensors XU, XUX, diffuse, Sn 2.1 m, 12...24 VDC, terminals



Product availability: Non-Stock - Not normally stocked in distribution facility

Price\*: 105.00 USD



### Main

|                               |   |
|-------------------------------|---|
| Range of Product              | Telemecanique Photoelectric sensors XU  |
| Series name                   | General purpose single mode   |
| Electronic sensor type        | Photo-electric sensor   |
| Sensor name                   | XUX   |
| Sensor design                 | Compact 92 x 71   |
| Detection system              | Diffuse   |
| Material                      | Plastic   |
| Type of output signal         | Discrete  |
| Supply circuit type           | DC  |
| Wiring Technique              | 3-wire  |
| Discrete output type          | PNP   |
| Discrete output function      | 1 NO  |
| Electrical connection         | Screw-clamp terminals, 1 x 1.5 mm <sup>2</sup> or 1 x 0.75 mm <sup>2</sup> with adaptor |
| Product Specific Application  | -   |
| Emission                      | Infrared diffuse  |
| [Sn] nominal sensing distance | 6.89 Ft (2.1 m) diffuse   |

### Complementary

|                           |  |
|---------------------------|--|
| Enclosure Material        | PBT  |
| Lens material             | PMMA   |
| Maximum sensing distance  | 9.84 Ft (3 m) diffuse  |
| Output Type               | Solid state  |
| Cable entry               | 1 entry for M16 x 1.5 cable gland 0.28...0.39 in (7...10 mm) |
| Status LED                | 1 LED yellow)output state<br>1 LED green)supply              |
| [Us] rated supply voltage | 12...24 V DC   |
| Switching capacity in mA  | <= 100 mA (overload and short-circuit protection)            |
| Switching frequency       | <= 250 Hz  |
| Maximum voltage drop      | <1.5 V (closed state)  |

|                        |                        |
|------------------------|------------------------|
| Current consumption    | <= 35 mA no-load       |
| Maximum delay first up | 15 Ms                  |
| Maximum delay response | 2 Ms                   |
| Maximum delay recovery | 2 Ms                   |
| Setting-up             | Sensitivity adjustment |
| Maximum Depth          | 3.03 In (77 mm)        |
| Maximum Height         | 3.62 In (92 mm)        |
| Maximum Width          | 1.22 In (31 mm)        |
| Net Weight             | 0.44 Lb(US) (0.2 kg)   |

## Environment

|                                       |  |
|---------------------------------------|--|
| Product Certifications                | CE<br>UL<br>CSA  |
| Ambient air temperature for operation | -13...131 °F (-25...55 °C)   |
| Ambient Air Temperature for Storage   | -40...158 °F (-40...70 °C)   |
| Vibration resistance                  | 7 gn +/- 1.5 mm 10...55 Hz) IEC 60068-2-6                            |
| Shock resistance                      | 30 gn 11 ms) IEC 60068-2-27  |
| IP degree of protection               | IP67 double insulation IEC 60529<br>IP65 double insulation IEC 60529 |

## Ordering and shipping details

|                       |                                |
|-----------------------|--------------------------------|
| Category              | 22481 - SENSORS, PHOTOELECTRIC |
| Discount Schedule     | DS2                            |
| GTIN                  | 03389110170917                 |
| Nbr. of units in pkg. | 1                              |
| Package weight(Lbs)   | 6.56 Oz (186 g)                |
| Returnability         | No                             |
| Country of origin     | FR                             |

## Packing Units

|                              |                         |
|------------------------------|-------------------------|
| Unit Type of Package 1       | PCE                     |
| Package 1 Height             | 1.61 In (4.1 cm)        |
| Package 1 width              | 3.78 In (9.6 cm)        |
| Package 1 Length             | 5.20 In (13.2 cm)       |
| Unit Type of Package 2       | S02                     |
| Number of Units in Package 2 | 22                      |
| Package 2 Weight             | 10.02 Lb(US) (4.547 kg) |
| Package 2 Height             | 5.91 In (15 cm)         |
| Package 2 width              | 11.81 In (30 cm)        |
| Package 2 Length             | 15.75 In (40 cm)        |

## Offer Sustainability

|                            |   |
|----------------------------|---|
| Sustainable offer status   | Green Premium product   |
| California proposition 65  | WARNING: This product can expose you to chemicals including: Diisononyl phthalate (DINP), which is known to the State of California to cause cancer, and Di-isodecyl phthalate (DIDP), which is known to the State of California to cause birth defects or other reproductive harm. For more information go to <a href="http://www.P65Warnings.ca.gov">www.P65Warnings.ca.gov</a> |
| REACH Regulation           | <a href="#">REACH Declaration</a>   |
| EU RoHS Directive          | Pro-active compliance (Product out of EU RoHS legal scope) <a href="#">EU RoHS Declaration</a>  |
| Mercury free               | Yes   |
| RoHS exemption information | <a href="#">Yes</a>   |

---

|                          |   |
|--------------------------|---|
| Environmental Disclosure | <a href="#">Product Environmental Profile</a> |
| Circularity Profile      | <a href="#">End Of Life Information</a>       |

---

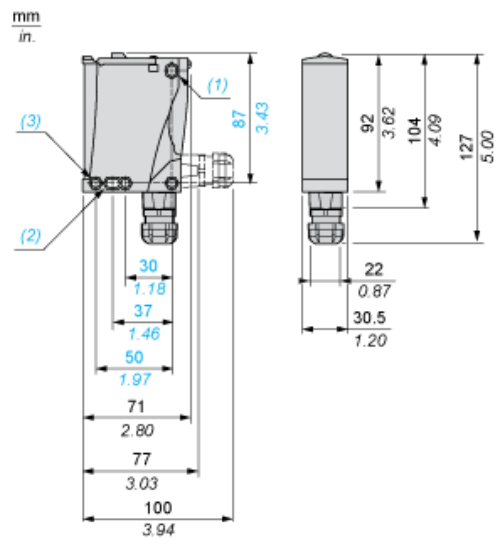
### Contractual warranty

---

|          |           |
|----------|-----------|
| Warranty | 18 months |
|----------|-----------|

---

## Dimensions



- (1) Elongated hole  $\varnothing$  5.5 x 7
- (2) Elongated hole  $\varnothing$  5.5 x 9
- (3)  $\varnothing$  5.5 hole

---

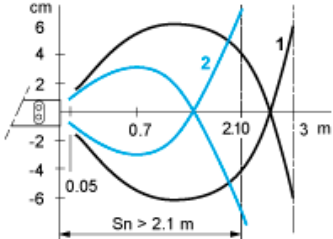
## Wiring Schemes

---

### PNP/NPN DC

| M12 |   | Terminals |   |        |
|-----|---|-----------|---|--------|
| 1   | ● | 1         | ⊘ | +      |
| 3   | ● | 2         | ⊘ | -      |
| 4   | ● | 3         | ⊘ | Output |

Detection Curves



- 1 : White 90%
  - 2 : Grey 18%
- Object 10 x 10 cm

Product Life Status : **Commercialised**